

LED Handlamp

Railway Worker's Handlamp



The Unipart Dorman LED Railwayman's Handlamp is a fully approved direct replacement for the Bardic Lamp that has been designed specifically with the user in mind. Lamps are constructed from high impact resistant polycarbonate to withstand the most severe shocks and also reduce the weight of the lamp by 50% compared to the previous Filament Handlamp.

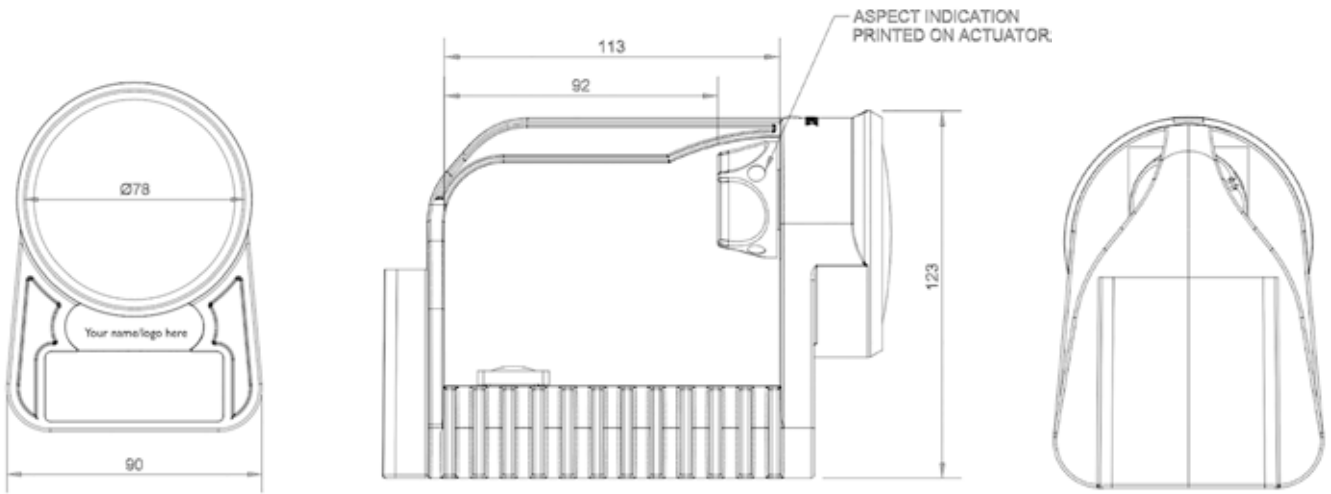
The aspect on/off switch and the battery release catch are designed to be easily operated even when the operator is wearing bulky gloves. The lamps have been made more compact than the Bardic but provide the same light output by using the latest LED and lens optic design.

Features and Benefits

- Unipart Dorman LED Handlamps have a 250% energy saving over filament lamps with a battery life of 20 hours continuous use
- Red, Yellow and Green aspects are true signal colours
- LED light sources designed to give a long and predictable service life of over 10 years continuous use
- Stable light output across battery lifetime
- "Battery OK" indicator displays health of battery
- Available in 3 and 4 Aspect variants
- The weight is concentrated at the bottom of the lamp making it much more stable when laid on track ballast
- Optional Reloadable Battery Pack available for applications which are not reliant on Network Rail product approval
- Customer logos etc can be embossed on the lamp if required



Product Drawings



Technical Data

Network Rail Acceptance No.	PA05/02888
3 Aspect Handlamp	Red - Green - Red - White Catalogue No. 0094/008052
4 Aspect Handlamp	Red - Yellow - Green - White Catalogue No. 0094/008050 NATO Stock Number 6230-99-9251455 (C/W Battery Box), 6230-99-6970063 (No Battery Box)
Mounting	The rear of the lamp features a standard lamp iron mounting bracket to enable use as an emergency tail or marker lamp.
Switch	Aspect selection is made simple, via an ergonomic rotary switch that clearly displays the selected aspect colour. A secondary indication of aspect colour is available from the indicator window positioned on the uppermost edge of the lamp in line with the operators field of vision.
Battery	Battery replacement is achieved by pressing a single release button. Replacement Battery Catalogue No. 0094/008051 Reloadable Battery Box Catalogue No. 0050/559357 NATO Stock Number 6160-99-4266360

About Unipart

The Unipart Group is a leading UK manufacturer, full service logistics provider and consultant in operational excellence. Operating across a range of market sectors, including automotive, manufacturing, mobile telecoms, rail, retail and technology, Unipart offers a breadth of services to a wide range of blue chip clients internationally.

Unipart Rail Australia

Unit 1, 52 Holker Street,
Silverwater,
NSW, 2128
Phone :+61 (2) 8787 5910
Email: uga.enquiries@unipart.com



Visit www.unipart.com.au for details of our
Worldwide Regional Offices